

**MORE POWER - LESS SPACE™**



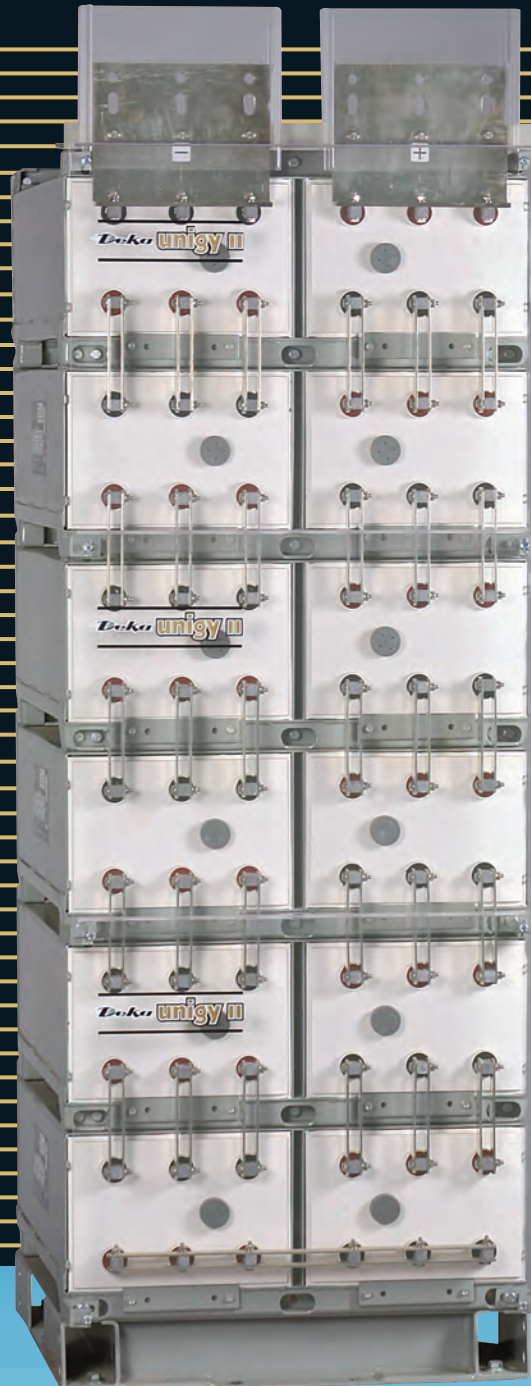
# unigy II®

*Tomorrow's energy systems...today*

**EXCLUSIVE IPF™  
TECHNOLOGY  
OPTIMIZES  
POWER  
CAPACITY, CELL  
CONSISTENCY,  
AND LONG-TERM  
RELIABILITY**

**NEW  
2000 AH  
DESIGN**

**PATENTED  
SPACESAVER™  
INTERLOCK™  
MODULE**



**LESS SPACE  
& EVEN  
GREATER  
POWER THAN  
PREVIOUS  
DESIGN**

**ZONE 4  
RATED\***

**MICROCAT™  
VENT**

**Made in  
U.S.A.**



UL Recognized Component

QUALITY SYSTEM  
CERTIFIED  
**ISO 9001**  
**ISO/TS 16949**  
ENVIRONMENTAL  
SYSTEM CERTIFIED  
**ISO 14001**

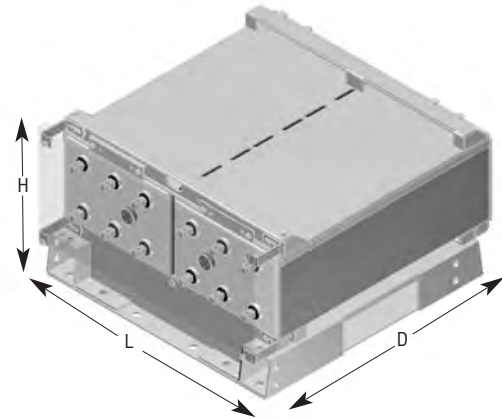
<b>AVR125-33 – 2000 AH</b>									
<b>AMPERES @ 77°F (25°)</b>									
Final Voltage (V.P.C.)	3 HR	4 HR	5 HR	6 HR	8 HR	10 HR	12 HR	20 HR	24 HR
1.75	517	414	352	309	250	210	182	118	101
1.80	502	408	348	306	248	208	180	117	100
1.85	472	390	336	297	241	203	176	114	97.7
<b>WATTS PER CELL @ 77° (25°)</b>									
Final Voltage (V.P.C.)	10 MIN.	15 MIN.	20 MIN.	30 MIN.	40 MIN.	60 MIN.			
1.67	3948	3434	3138	2769	2606	2122			
1.75	3354	3144	2956	2640	2381	1996			
<b>Specific Gravity 1.300</b>							<b>Float Voltage: 2.25 +/- .01 per cell</b>		

No. Cells/Module	No. Plates/Cell	Part Numbers <sup>1</sup>	Module Volts	Amp Hour C/8 @ 1.75 vpc	Dimensions			
					Length <sup>2</sup> (mm)	Depth <sup>3</sup> (mm)	Height <sup>4</sup> (mm)	Weight <sup>5</sup> (kgs.)
2	33	AVR125-33	4	2000	26.60" (676)	28.63" (727)	11.91" (303)	718 lbs. (326)

\* Modules have been tested and certified to NEBS Zone 4, up to 3 modules high. (See East Penn for more information.)

- <sup>1</sup> Flame retardant polypropylene jars and covers standard.
- <sup>2</sup> For system length, take dimension and multiply by number of stack. For side termination, add an additional 6" (3" per side).
- <sup>3</sup> Includes front shield.
- <sup>4</sup> For module stack height, subtract 1.5" from height and multiply the number of modules and then add 1.5". For overall battery height (top termination) add 4" for base, 1.5" for termination bracket and 6.25" for top shield.
- <sup>5</sup> Weight includes module plus cells, but not cell hardware or base.

Please refer to the I&O Manual, systems operation, float voltages for proper charger setting.



**"POWERED FOR PERFORMANCE"®**

**EAST PENN manufacturing co., inc.**

Lyon Station, PA 19536-0147 • Phone: 610-682-6361 • Fax: 610-682-3263

**Order Department Hotline: 610-682-3263**

www.eastpennunigy.com • e-mail: sales@eastpennunigy.com

E.P.M. Form No. 0983 Rev. 7/10 © 2010 by EPM Printed in U.S.A.

DISTRIBUTED BY:

All data subject to change without notice. No part of this document may be copied or reproduced, electronically or mechanically, without written permission from the company.